

# Thermofit<sup>®</sup> Molded Parts Specification Control Drawing

Part Number : 382A012 thru 046

Description : Transition, Y

## NOTES

- All dimensions are in  $\frac{\text{inches}}{\text{millimeters}}$  ;  $\frac{\text{lbs}}{\text{gms}}$
- Dimensions appearing in table are as follows:
  - a - As Supplied
  - b - After Unrestricted Recovery
- Coating is optional. As specified dimensions appearing in table are for uncoated parts. When coating is added, entry diameters will be reduced by .06 max.
- Molding parts are optional. When -00 modification number is specified molding parts will be located as shown.
- Weight shown in table of dimensions is based on polyolefin part.

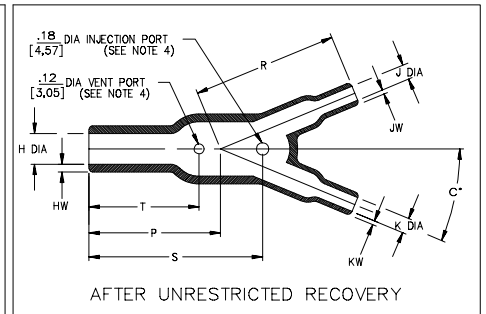
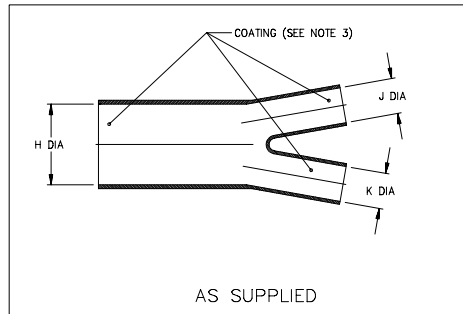


TABLE OF DIMENSIONS

PART NUMBER	H		J		K		P ±10%	R ±10%	S ±10%	T ±10%	HW ±20%	JW & KW ±20%		C ±5%	Weight Nom b
	Min a	Max b	Min a	Max b	Min a	Max b						b	b		
	[ ]	[ ]	[ ]	[ ]	[ ]	[ ]						[ ]	[ ]		
382A012	.52 [13,2]	.24 [6,1]	.26 [6,6]	.13 [3,3]	.26 [6,6]	.13 [3,3]	.88 [22,4]	.76 [19,3]	.94 [23,9]	.61 [15,5]	.06 [1,52]	.04 [1,02]	22 1/2"	.004 [1,81]	
382A023	1.06 [26,9]	.49 [12,4]	.52 [13,2]	.24 [6,1]	.52 [13,2]	.24 [6,1]	1.50 [38,1]	1.70 [43,2]	2.10 [53,3]	1.30 [33,0]	.10 [2,54]	.06 [1,52]	22 1/2"	.026 [11,79]	
382A034	1.52 [38,6]	.71 [18,0]	1.06 [26,9]	.49 [12,4]	1.06 [26,9]	.49 [12,4]	2.58 [65,5]	3.10 [78,7]	3.10 [78,7]	2.20 [55,9]	.12 [3,05]	.10 [2,54]	22 1/2"	.141 [63,96]	
382A046	2.19 [55,6]	1.02 [25,9]	1.06 [26,9]	.50 [12,7]	1.06 [26,9]	.50 [12,7]	3.35 [85,1]	3.70 [94,0]	4.40 [111,8]	2.80 [71,1]	.18 [4,57]	.10 [2,54]	22 1/2"	.249 [112,95]	

If this document is printed it becomes uncontrolled.  
Check for the latest revision.

**Raychem**

RAYCHEM CORPORATION  
300 CONSTITUTION DRIVE  
MENLO PARK, CALIFORNIA 94025

Revision : T  
Date : 6/30/94

Part Number : 382A012 thru 046  
Description : Transition, Y

# Thermofit<sup>®</sup> Molded Parts Specification Control Drawing

Part Number : 382A012 thru 046

Description : Transition, Y

MATERIAL DASH NO.	MATERIAL DESCRIPTION	RT SPEC	COATING SLASH NO.	COATING S NO.	COATING DESCRIPTION
-3	Polyolefin, Semi-rigid	RT-301	/42; /86; /87	S-1017; S-1048; S-1052	Adhesive
-4	Polyolefin, Flexible	RT-1304	/42; /86; /87; /180	S-1017; S-1048; S-1052; S-1030	Adhesive
-5	Elastomer, Flexible	RT-501	/42	S-1017	Adhesive
-6	Silicone	RT-602	N/A		
-12	*WITON, Flexible	RT-1312	N/A		
-25	Elastomer, Fluid Resistant	RT-1325	/42; /86	S-1017; S-1048	Adhesive
-100	Polyolefin, Semi-flexible ZEROHAL™	RT-1323	/86; /180	S-1048; S-1030	Adhesive

\*WITON is a Registered Trademark of Dupont

ORDERING INFORMATION			
Base part number	382A0XX	-XX	-XX /XXX
Material dash number (See Compatibility Chart)			
Modification number (If necessary, see front of scd binder for a complete list)			
Adhesive slash number (If necessary, see Compatibility Chart)			

THIS DRAWING IS SUBJECT TO CHANGE WITHOUT NOTICE; CONSULT YOUR  
NEAREST FIELD REPRESENTATIVE FOR CURRENT REVISION

**Raychem**

RAYCHEM CORPORATION  
300 CONSTITUTION DRIVE  
MENLO PARK, CALIFORNIA 94025

If this document is printed it becomes uncontrolled.  
Check for the latest revision.

Revision : T  
Date : 6/30/94

Part Number : 382A012 thru 046  
Description : Transition, Y

CAD FILE MP941214