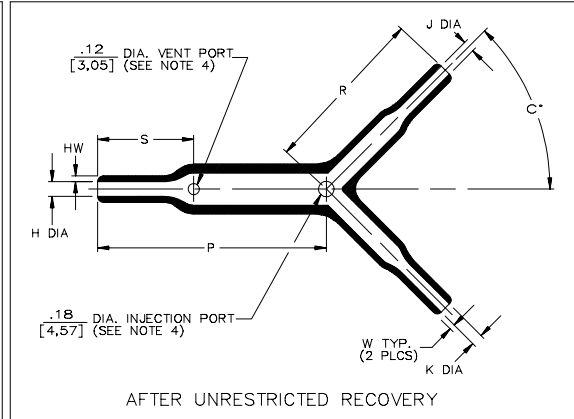
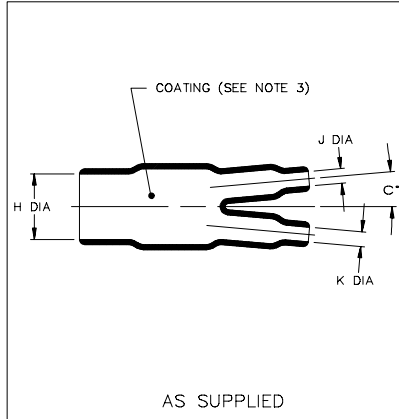


# Thermofit<sup>®</sup> Molded Parts Specification Control Drawing

Part Number : 342A215  
Description : Transition, Y

## NOTES

- All dimensions are in  $\frac{\text{inches}}{[\text{millimeters}]}$ ;  $\frac{\text{lbs}}{[\text{grams}]}$
- Dimensions appearing in table are as follows:  
a - As Supplied  
b - After Unrestricted Recovery
- Coating is optional. As supplied dimensions appearing in table are for uncoated parts. When coating is added, entry diameters will be reduced by .06 max.
- Molding ports are optional. When -00 modification number is specified molding ports will be located as shown.
- Weight appearing in table of dimensions is based on polyolefin part.



PART NUMBER	H		J & K		P	R	S	HW	W	C°		Weight Nom b
	Min	Max	Min	Max						±10°	±5°	
	a	b	a	b	b	b	b	b	a	b		
342A215	.58 [14,7]	.31 [7,9]	.34 [8,6]	.22 [5,6]	3.25 [82,5]	2.50 [63,5]	1.55 [39,4]	.09 [2,3]	.08 [2,0]	10°	45°	.098 [44,45]

**If this document is printed it becomes uncontrolled.  
Check for the latest revision.**

**Raychem**

RAYCHEM CORPORATION  
300 CONSTITUTION DRIVE  
MENLO PARK, CALIFORNIA 94025  
(415) 361-6055

Revision : F  
Date : 4/12/93

Part Number : 342A215  
Description : Transition, Y

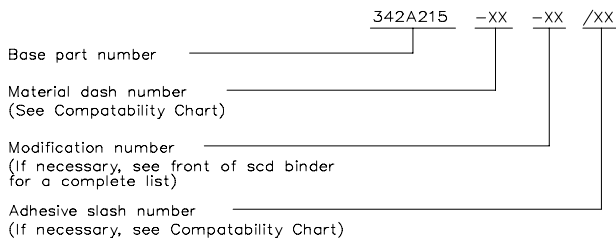
# Thermofit<sup>®</sup> Molded Parts Specification Control Drawing

Part Number : 342A215  
Description : Transition, Y

MATERIAL DASH NO.	MATERIAL DESCRIPTION	RT SPEC	COATING SLASH NO.	COATING S NO.	COATING DESCRIPTION
-3	Polyolefin, Semi-rigid	RT-301	/42;/86	S-1017;S-1048	Adhesive
-4	Polyolefin, Flexible	RT-1304	/42;/86	S-1017;S-1048	Adhesive
-5	Elastomer, Flexible	RT-501	/42	S-1017	Adhesive
-6	Silicone	RT-602	N/A		
-12	*VITON, Flexible	RT-1312	N/A		
-25	Elastomer, Fluid Resistant	RT-1325			

\*VITON is a Registered Trademark of Dupont

## ORDERING INFORMATION



THIS DRAWING IS SUBJECT TO CHANGE WITHOUT NOTICE; CONSULT YOUR  
NEAREST FIELD REPRESENTATIVE FOR CURRENT REVISION

**Raychem**

RAYCHEM CORPORATION  
300 CONSTITUTION DRIVE  
MENLO PARK, CALIFORNIA 94025  
(415) 361-6055

Revision : F  
Date : 4/12/93

Part Number : 342A215  
Description : Transition, Y

CAD FILE MP93061