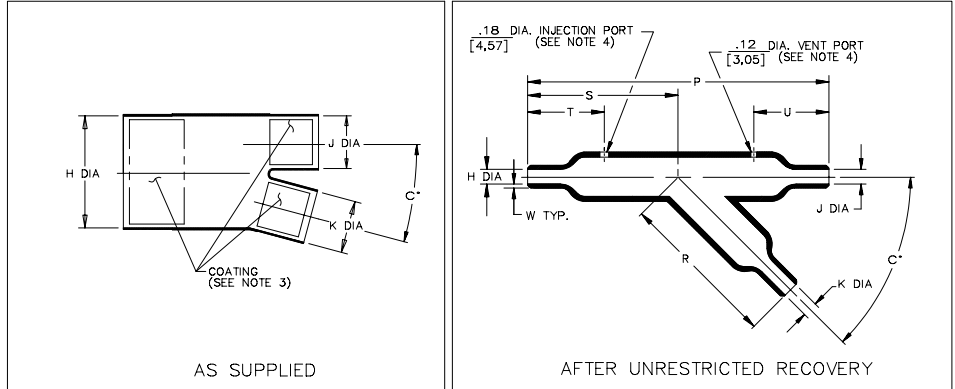


# Molded Parts Specification Control Drawing

Part Number : 341A015  
Description : Transition, 45°  
Side Breakout

## NOTES

- All dimensions are in  $\frac{\text{inches}}{[\text{millimeters}]}$
- Dimensions appearing in table are as follows:
  - a - As Supplied
  - b - After Unrestricted Recovery
- Coating is optional. As supplied dimensions appearing in table are for uncoated parts. When coating is added, entry diameters will be reduced by .06 max.
- Molding parts are optional. When -00 modification number is specified molding parts will be located as shown.
- Weight shown in table of dimensions is based on polyolefin part.



PART NUMBER	H		J & K		P ±10%	R ±10%	S ±10%	T ±10%	U ±10%	W ±20%	C*		Weight Nom b
	Min a	Max b	Min a	Max b							±10° a	±5° b	
	341A015	1.12 [28,4]	.53 [13,5]	1.06 [26,9]	.53 [13,5]	5.91 [150,1]	3.16 [80,3]	2.76 [70,1]	1.53 [38,9]	1.50 [38,1]	.10 [2,5]	15°	45°



TYCO ELECTRONICS  
307 CONSTITUTION DRIVE  
MENLO PARK, CALIFORNIA 94025

Revision : F  
Date : 5/24/01

Part Number : 341A015  
Description : Transition, 45°  
Side Breakout

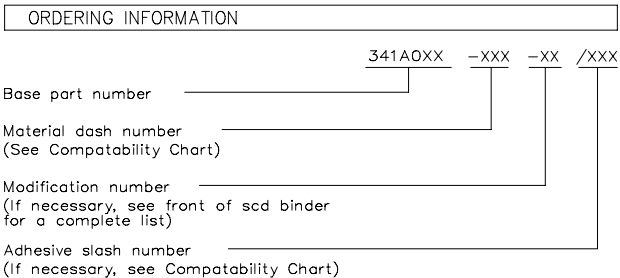
# Molded Parts Specification Control Drawing

Part Number : 341A015  
Description : Transition, 45°  
Side Breakout

MATERIAL DASH NO.	MATERIAL DESCRIPTION	RT SPEC	COATING SLASH NO.	COATING S NO.	COATING DESCRIPTION
-3	Polyolefin, Semi-rigid	RT-301	/42,/86	S-1017,S-1048	
-4	Polyolefin, Flexible	RT-1304	/42,/86	S-1017,S-1048	
-5	Elastomer, Flexible	RT-501	N/A		
-6	Silicone	RT-602	N/A		
-12	*VITON, Flexible	RT-1312	N/A		
-25	Elastomer, Fluid Resistant	RT-1325	N/A		

\*VITON is a Registered Trademark of Dupont

If this document is printed it becomes uncontrolled.  
Check with the web for latest revision.



THIS DRAWING IS SUBJECT TO CHANGE WITHOUT NOTICE; CONSULT YOUR  
NEAREST FIELD REPRESENTATIVE FOR CURRENT REVISION



TYCO ELECTRONICS  
307 CONSTITUTION DRIVE  
MENLO PARK, CALIFORNIA 94025

Revision : F  
Date : 5/24/01

Part Number : 341A015  
Description : Transition, 45°  
Side Breakout

CAD FILE MP01036