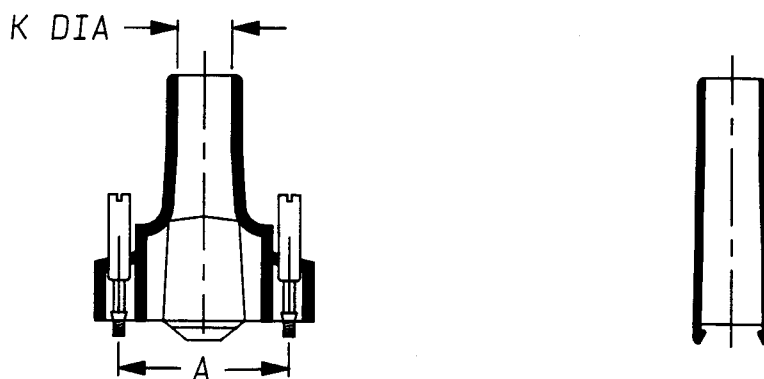
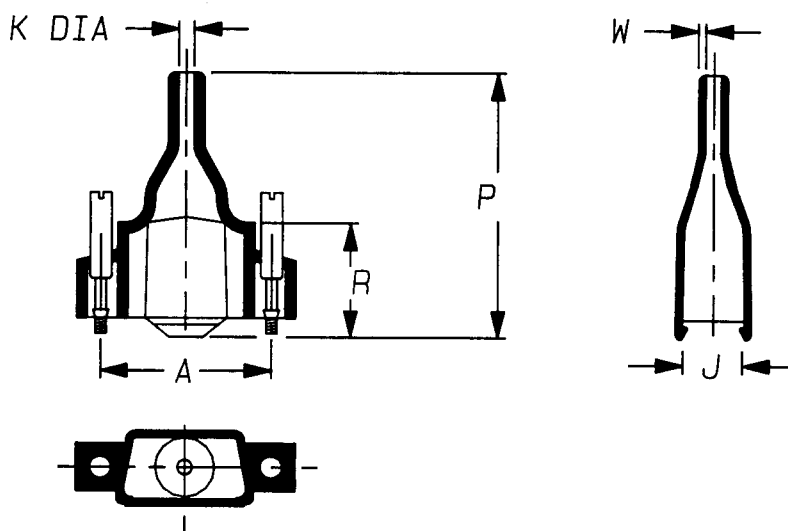


a) Part as supplied.

202-P-\*\*



b) Part after unrestricted recovery.



Dimensions (in millimetres).

PART SIZE	K	K	A	J	P	R	W
	MIN	MAX	10±%	±10%	±10%	±10%	±20%
	a	b	b	b	b	b	b
202-P-09	9.0	3.8	25.3	12	43	22	1.5
202-P-15	10.5	3.8	33.6	12	44	23	1.5
202-P-25	12.0	5.1	47.6	12	49	25	1.5
202-P-37	12.0	5.6	64.0	12	55	25	1.5

For ordering information see over.

Copyright (!)  
Urheberrechte

The copyright in this drawing is the property of Raychem Ltd. The drawing is issued on condition that it is not copied, reproduced or disclosed to a third party, either in whole or in part without the prior written consent of Raychem Ltd.

Drawn A.LILLEY. Checked V.L. Issue 5 Date February 1998 Conforms to ISO Recommendations

Approval  
Design

*PL*

MKTG.

*VL*

G.A.

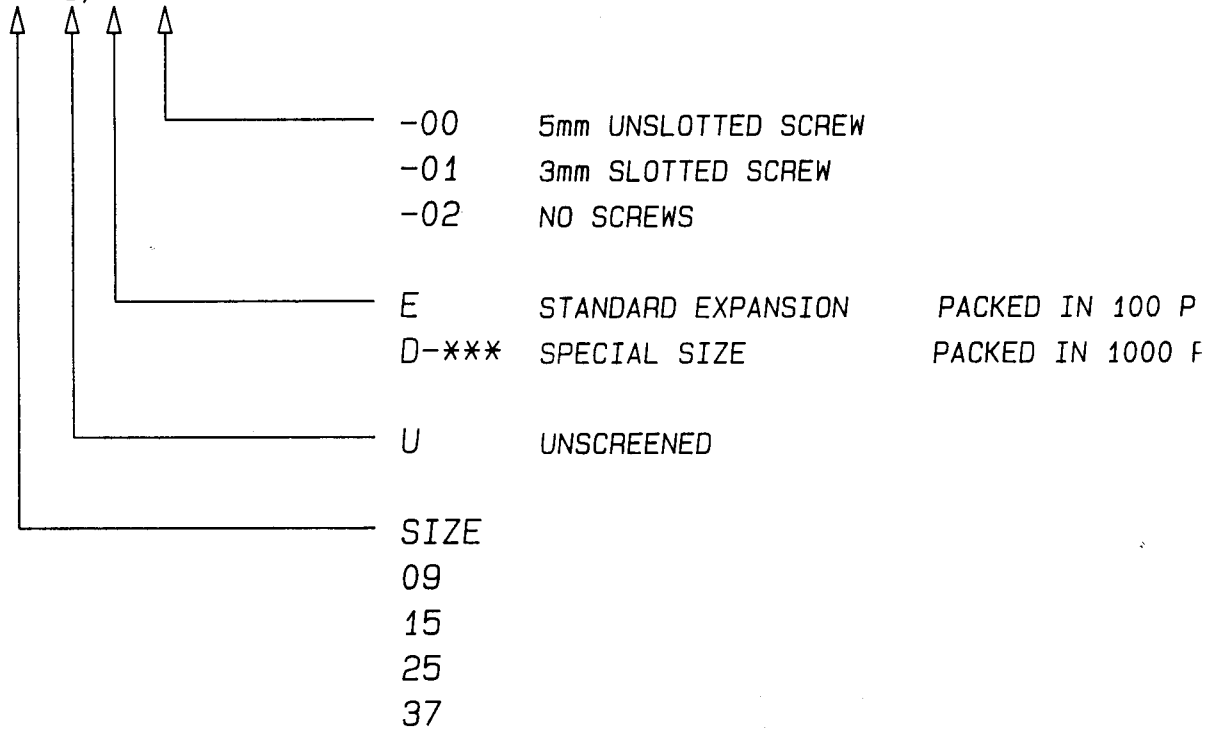
*me*

3rd Angle Projection  
Not to Scale



ORDERING INFORMATION

202-P-\*\*-U/\*-\*\*-



AS SUPPLIED DIMENSIONS ARE FOR UNCOATED PARTS,  
WHEN COATING IS ADDED, ENTRY DIAMETERS WILL REDUCE BY 1.5mm MAX.

Raychem  
Electronics OEM Division Europe  
Swindon, Wiltshire, England.  
Telephone: (0793) 528171 Fax: 573923